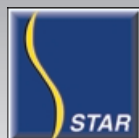


# PR 1713

## System Weighing Controller



- Programmable weighing controller (acc. IEC 61131)
- EC type approval certificate as Indicator class III, 5000e
- Integrated PLC functions
- Optional
  - Fieldbus cards: Ethernet, Profibus, Device Net
  - analogue I/O 's
  - digital I/O 's
  - internal Alibi Memory
- Stainless steel multi purpose housing with IP 65
- External PC-keyboard connectable

### Profile

The weighing indicator PR 1713/00 has been designed for high precision weighing applications. Beside the standard weighing functions the PR 1713/00 is prepared to communicate with host systems, PLC 's etc., the PR 1713/00 via serial interface, Ethernet or fieldbus options.

### Technical Data

#### Power supply

115/230 V<sub>AC</sub> 50-60 Hz  
max. 19 W /25 V<sub>A</sub>

#### Housing

stainless steel DIN 1.4301 (B.S.304)  
Ingress Protection: IP 65

#### Display

7-digit plus status symbols  
text: 2 lines, 20 characters

#### Load cell input

6-or 4-wire  
Load cell supply: 12 V  
Impedance: min. 75 Ω,  
e.g. 8 load cells with 650 Ω

### Interface

Bidirectional serial interface RS232; user selectable protocols: EW Com, remote string, printer, XON XOFF, Jbus, MOD-Bus, Dust

### Accuracy

5000e class III acc.to EN 45 501 OIML R 76  
min. verification interval 1.2 μV/e  
NTEP 10,000 d, class III/IIIL

### Linearity

< 0.007%

### Resolution (internal):

max. 330,000 div. (internal)

### Measuring principle

radiometric integrating A/D converter  
conversion time: 50 ms.  
update: 100 ms to 2 s  
adjustable in 100 ms steps

### Input signal range

net range: 2.4 mV to 36 mV  
tare range: 0... 33.6 mV

### Temperature effects

Live zero T<sub>K</sub>: <0.1 μV /K RTI  
Span: T<sub>K<sub>spn</sub></sub> <0.006 %/10 K

### Environmental conditions

#### Temperature range

Operation: -10° C to +40° C  
Storage: -40° C to +70° C

### Electrical safety

IEC 61010-1

### Vibration

IEC 60068

### Electrostatic discharge

IEC 61000-4-2

### Interference

IEC 61000-4-4

### Electromagnetic field

IEC 61000-4-3

### Radio noise suppression

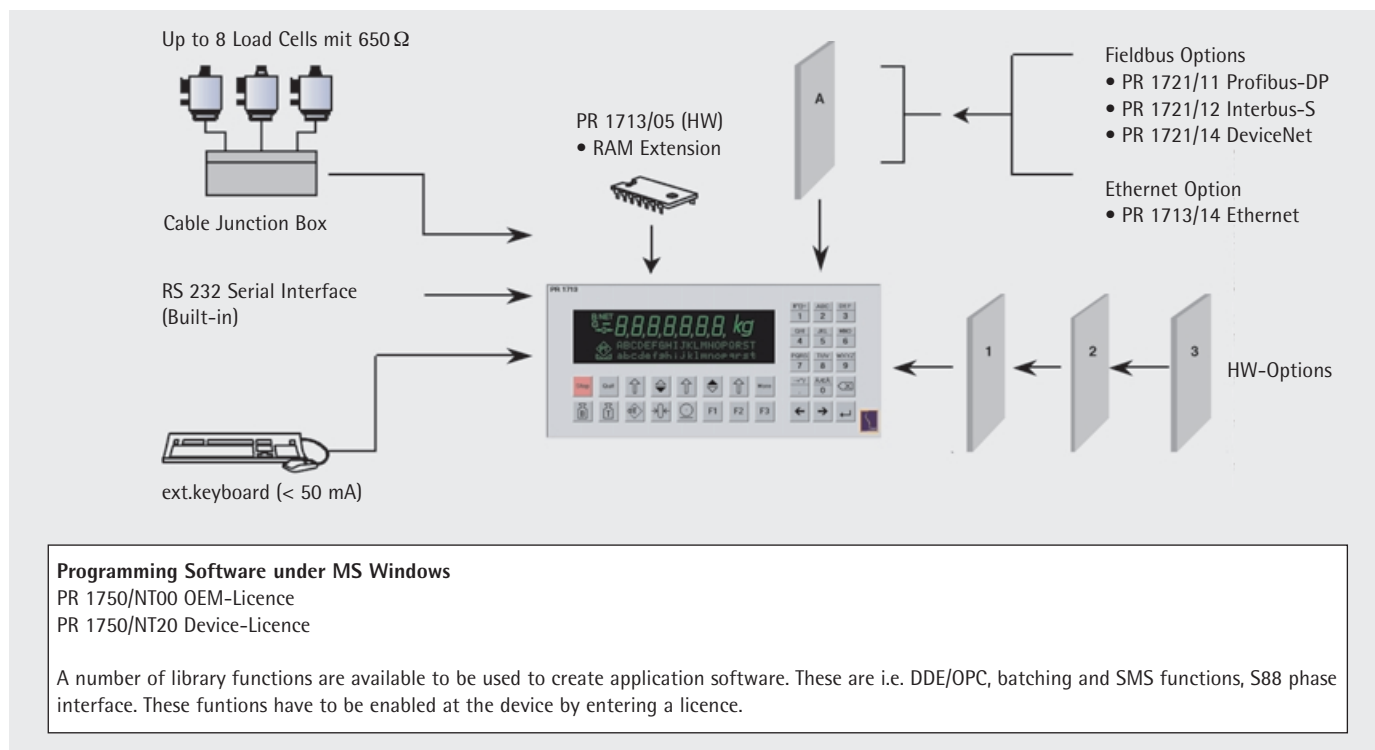
EN 55011

### По вопросам продаж и поддержки обращайтесь:

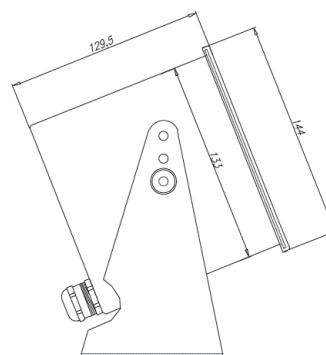
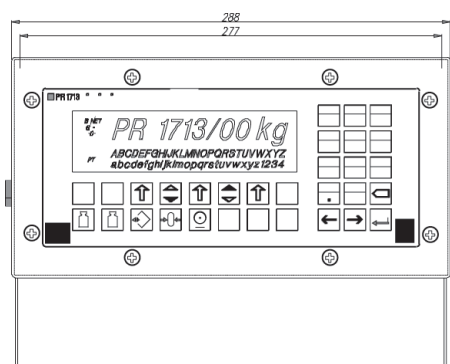
Астана+7(7172)727-132, Волгоград(844)278-03-48, Воронеж(473)204-51-73, Екатеринбург(343)384-55-89,  
Казань(843)206-01-48, Краснодар(861)203-40-90, Красноярск(391)204-63-61, Москва(495)268-04-70,  
Нижний Новгород(831)429-08-12, Новосибирск(383)227-86-73, Ростов-на-Дону(863)308-18-15, Самара(846)206-03-16,  
Санкт-Петербург(812)309-46-40, Саратов(845)249-38-78, Уфа(347)229-48-12

sst@nt-rt.ru || sartorius.nt-rt.ru

## Functional diagram PR 1713



## Instrument dimensions



## Order information

Type	Description	Order numbers	Type	Description	Order numbers
PR 1713/00	System Weighing Controller	9405 117 13001	PR 1713/01	System Weighing Controller 24 V	9405 117 13011

## Hardware Options

PR 1713/04	Serial Interface (RS 232/485)	9405 317 13041	PR 1713/15	4 dig. In-/4 dig. Output (Opto/Relais)	9405 317 13151
PR 1713/05	RAM Extension 1 MB	9405 317 13051	PR 1713/17	6 dig. In-/8 dig. Output (Opto)	9405 317 13171
PR 1713/06	Analog Output	9405 317 13061	PR 1721/11	Profibus-DP Interface	9405 317 21111
PR 1713/07	1 analog In-/4 analog Output	9405 317 13071	PR 1721/12	Interbus-S Interface	9405 317 21121
PR 1713/08	BCD Interface	9405 317 13081	PR 1721/14	DeviceNet Interface	9405 317 21141
PR 1713/12	4 dig. In-/4 dig. Output (Opto)	9405 317 13121	PR 8001/01	X5-PowerTools	9405 380 01011
PR 1713/13	DIOS Master	9405 317 13131	PR 8901/81	Internal Alibi Memory (Licence)	9405 389 01811
PR 1713/14	Ethernet Interface	9405 317 13141			

## По вопросам продаж и поддержки обращайтесь:

Астана+7(7172)727-132, Волгоград(844)278-03-48, Воронеж(473)204-51-73, Екатеринбург(343)384-55-89,  
 Казань(843)206-01-48, Краснодар(861)203-40-90, Красноярск(391)204-63-61, Москва(495)268-04-70,  
 Нижний Новгород(831)429-08-12, Новосибирск(383)227-86-73, Ростов-на-Дону(863)308-18-15, Самара(846)206-03-16,  
 Санкт-Петербург(812)309-46-40, Саратов(845)249-38-78, Уфа(347)229-48-12

sst@nt-rt.ru || sartorius.nt-rt.ru