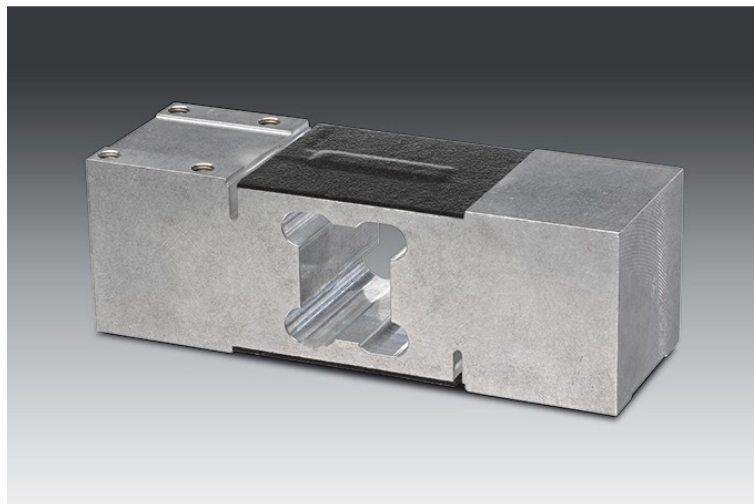




## MP 72 High Capacity Single Point Load Cell



30kg ... 750kg

- Aluminium alloy construction
- Compatible with other sources
- Single point 600 x 600mm platform
- Approved according to OIML R60
- Ex version available

### Applications

- Bench Scales
- Counting Scales
- Check Weighing Systems

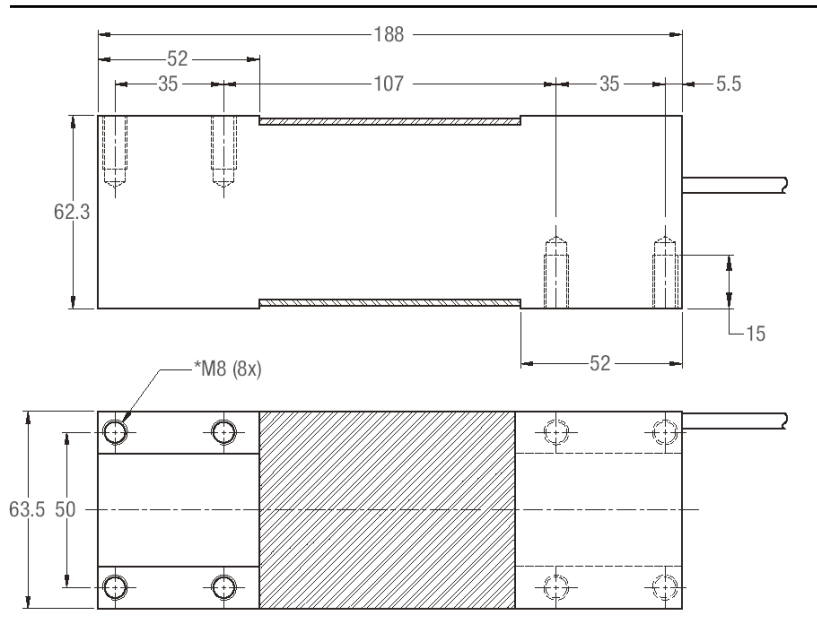
Technical Data		C3MR	
Accuracy class (Combined error)		0.02	% C <sub>n</sub>
Maximum capacity	E <sub>max</sub>	30 / 50 / 100 / 200 / 300 / 500 / 750	kg
Maximum usable load	E <sub>u</sub>	150	% E <sub>max</sub>
Destructive load	E <sub>d</sub>	≥ 300	% E <sub>max</sub>
Safe side load	E <sub>iq</sub>	100	% E <sub>max</sub>
Maximum number of LC intervals	n <sub>LC</sub>	3,000	
Minimum LC verification interval v <sub>min</sub> = E <sub>max</sub> /Y	Y	15,000	
Rated output	C <sub>n</sub>	2.0	mV/V
Tolerance on rated output	D <sub>c</sub>	≤ ± 10	% C <sub>n</sub>
Zero output signal	S <sub>min</sub>	≤ ± 5	% C <sub>n</sub>
Creep, during 30 min.	d <sub>cr</sub>	≤ ± 0.016	% C <sub>n</sub>
Temperature effect on S <sub>min</sub>	TK <sub>Smin</sub>	≤ ± 0.009	% C <sub>n</sub> / 10K
Temperature effect on C	TK <sub>C</sub>	≤ ± 0.01	% C <sub>n</sub> / 10K
Input impedance	R <sub>LC</sub>	413 ± 20	Ω
Output impedance	R <sub>O</sub>	350 ± 25	Ω
Insulation impedance (100V DC)	R <sub>IS</sub>	≥ 5	GΩ
Recommended supply voltage	B <sub>u</sub>	5 ... 15	V
Nominal ambient temperature range	B <sub>T</sub>	- 10 ... + 40	°C
Usable ambient temperature range	B <sub>Tu</sub>	- 20 ... + 65	°C
Nominal deflection	S <sub>nom</sub>	0.46 (E <sub>max</sub> =30kg); 0.49 (E <sub>max</sub> =50kg); 0.45 (E <sub>max</sub> =100kg); 0.38 (E <sub>max</sub> =200kg); 0.39 (E <sub>max</sub> =300kg); 0.44 (E <sub>max</sub> =500kg); 0.50 (E <sub>max</sub> =750kg)	mm
Cable length		3.0 (other lengths optional)	m
Cable type		6 conductor TPE cable (AWG 26), shield grounded (optional: shield floating)	
Sensor material		Aluminium	
Protection class (acc. to IEC 529)		IP67	

The technical data given here serve only as a product description and must not be interpreted as guaranteed characteristics in legal sense.

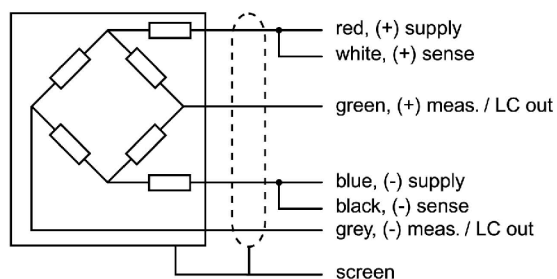
### По вопросам продаж и поддержки обращайтесь:

Астана+7(7172)727-132, Волгоград(844)278-03-48, Воронеж(473)204-51-73, Екатеринбург(343)384-55-89,  
Казань(843)206-01-48, Краснодар(861)203-40-90, Красноярск(391)204-63-61, Москва(495)268-04-70,  
Нижний Новгород(831)429-08-12, Новосибирск(383)227-86-73, Ростов-на-Дону(863)308-18-15, Самара(846)206-03-16,  
Санкт-Петербург(812)309-46-40, Саратов(845)249-38-78, Уфа(347)229-48-12

sst@nt-rt.ru || sartorius.nt-rt.ru



Dimensions in mm



Wiring diagram

Type	Order Number	Type	Order Number
MP 72/ 30 kg C3MR	9408 272 07030	MP 72/ 30 kg C3MR E	9408 672 07030
MP 72/ 50 kg C3MR	9408 272 07050	MP 72/ 50 kg C3MR E	9408 672 07050
MP 72/ 100 kg C3MR	9408 272 07110	MP 72/ 100 kg C3MR E	9408 672 07110
MP 72/ 200 kg C3MR	9408 272 07120	MP 72/ 200 kg C3MR E	9408 672 07120
MP 72/ 300kg C3MR	9408 272 07130	MP 72/ 300kg C3MR E	9408 672 07130
MP 72/ 500kg C3MR	9408 272 07150	MP 72/ 500kg C3MR E	9408 672 07150
MP 72/ 750kg C3MR	9408 272 07175	MP 72/ 750kg C3MR E	9408 672 07175

**По вопросам продаж и поддержки обращайтесь:**

Астана+7(7172)727-132, Волгоград(844)278-03-48, Воронеж(473)204-51-73, Екатеринбург(343)384-55-89,  
 Казань(843)206-01-48, Краснодар(861)203-40-90, Красноярск(391)204-63-61, Москва(495)268-04-70,  
 Нижний Новгород(831)429-08-12, Новосибирск(383)227-86-73, Ростов-на-Дону(863)308-18-15, Самара(846)206-03-16,  
 Санкт-Петербург(812)309-46-40, Саратов(845)249-38-78, Уфа(347)229-48-12

**sst@nt-rt.ru || sartorius.nt-rt.ru**