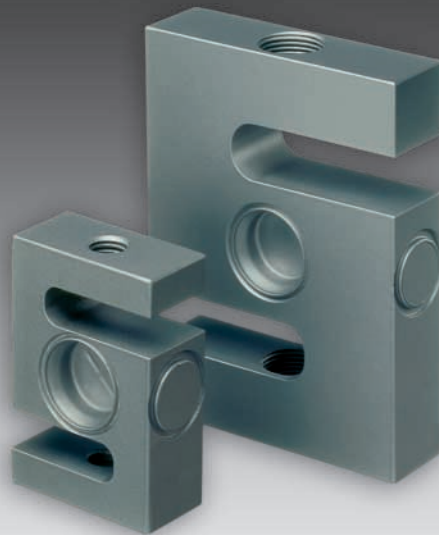




MP 46

S-Type Load Cell



500kg... 5t Type N/C3

- High quality alloy steel
- Aluminized coated finish for outstanding corrosion resistance
- Hermetically welded seal (IP 67)
- Approved according to OIML R60

Applications

- Mechanical scale conversions
- Suspended vessels
- Ideal for tension applications

Technical Data		N	C3	
Accuracy class		0.03	0.025	%
Minimum dead load	E_{min}	2	2	% E_{max}
Rated capacity	E_{max}	s. table	s. table	
Safe overload	E_U	150	150	% E_{max}
Destructive load	E_d	> 300	> 300	% E_{max}
Minimum LC verification interval $v_{min} = E_{max}/Y$	Y	-	6,667	
Rated output	C_n	2	2	mV/V
Tolerance on rated output	d_c	≤ 0.25	≤ 0.25	% C_n
Zero output signal	S_{min}	≤ 1	≤ 1	% C_n
Repeatability	ϵ_R	≤ 0.012	≤ 0.012	% C_n
Creep, during 30min.	d_{cr}	≤ 0.03	≤ 0.017	% C_n
Temperature effect on S_{min}	$TK_{S_{min}}$	≤ 0.028	≤ 0.021	% $C_n/10K$
Temperature effect on C	TK_c	≤ 0.014	≤ 0.011	% $C_n/10K$
Input impedance	R_{LC}	350 ± 7	350 ± 7	Ω
Output impedance	R_o	352 ± 3	352 ± 3	Ω
Insulation impedance	R_{IS}	> 2,000	> 2,000	MΩ
Recommended supply voltage	B_U	10	10	V
Maximum supply voltage	U_{max}	15	15	V

По вопросам продаж и поддержки обращайтесь:

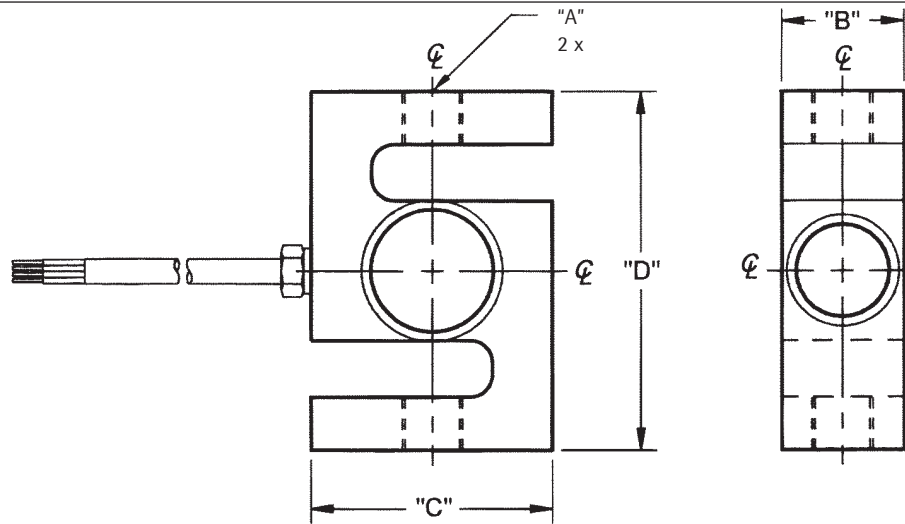
Астана+7(7172)727-132, Волгоград(844)278-03-48, Воронеж(473)204-51-73, Екатеринбург(343)384-55-89,
Казань(843)206-01-48, Краснодар(861)203-40-90, Красноярск(391)204-63-61, Москва(495)268-04-70,
Нижегород(831)429-08-12, Новосибирск(383)227-86-73, Ростов-на-Дону(863)308-18-15, Самара(846)206-03-16,
Санкт-Петербург(812)309-46-40, Саратов(845)249-38-78, Уфа(347)229-48-12

sst@nt-rt.ru || sartorius.nt-rt.ru

Technical Data		N	C3	
Nominal ambient temperature range	B _T	-10 to +40	-10 to +40	° C
Usable ambient temperature range	B _{TU}	-20 to +65	-20 to +65	° C
Nominal deflection	S _{nom}	≤ 0.3	≤ 0.3	mm
Cable	-	6m, 4 wires with screen	6m, 4 wires with screen	
Protection class	-	IP 67	IP 67	

Definitions acc. to VDI/VDE 2637, Technical data and dimension for product description only. Data subject to change without notice.

- Temperature effect on sensitivity and combined error (accuracy class) are combined in such a way that the load cells meet the tolerance envelope of the OIML recommendations R60.
- When selecting load cells for a particular environment, the IP rating should only be used as a guide. Care should be given to the design of the weighing product to protect the load cell.
- The correct mounting of the load cell is essential to obtain optimum performance.

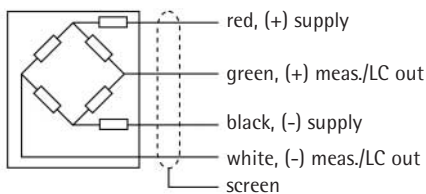


Dimensions all in mm

Capacity	A	B	C	D	Weight
500kg	M12 x 1.75	24.6	50.5	75.4	1.5kg
1t, 2t	M20 x 1.5	24.6	50.5	75.4	1.5kg
3t - 5t	M20 x 1.5	24.6	88.9	120.6	2.5kg

Accessories

Type	Description	Order number
MP46/81	swivel eye for S-type (500kg)	9408 800 46811
MP46/82	swivel eye for S-type (1t... 5t)	9408 800 46821



Order information

Type	Order number	Type	Order number	Max. capacity (2mV/V)
MP46/52 N	9408 800 46521	MP46/52 C3	9408 800 46527	500kg
MP46/13 N	9408 800 46131	MP46/13 C3	9408 800 46137	1000kg
MP46/23 N	9408 800 46231	MP46/23 C3	9408 800 46237	2000kg
MP46/33 N	9408 800 46331	MP46/33 C3	9408 800 46337	3000kg
MP46/53 N	9408 800 46531	MP46/53 C3	9408 800 46537	5000kg

По вопросам продаж и поддержки обращайтесь:

Астана+7(7172)727-132, Волгоград(844)278-03-48, Воронеж(473)204-51-73, Екатеринбург(343)384-55-89,
 Казань(843)206-01-48, Краснодар(861)203-40-90, Красноярск(391)204-63-61, Москва(495)268-04-70,
 Нижний Новгород(831)429-08-12, Новосибирск(383)227-86-73, Ростов-на-Дону(863)308-18-15, Самара(846)206-03-16,
 Санкт-Петербург(812)309-46-40, Саратов(845)249-38-78, Уфа(347)229-48-12

sst@nt-rt.ru || sartorius.nt-rt.ru