



# sartorius

## MP 47

### Bending Beam Load Cell



#### 20kg... 200kg Type N/C3

- Full stainless steel construction
- Compatible with other sources
- Hermetically welded seal (IP 67)
- Approved according to OIML R60

#### Applications

- Platform scales
- Tank & Hopper scales
- Conveyor scales
- Mechanical scale conversions

Technical Data		N	C3	
Accuracy class		0.03	0.02	%
Minimum dead load	$E_{min}$	0	0	% $E_{max}$
Rated capacity	$E_{max}$	s. table	s. table	
Safe overload	$E_U$	150	150	% $E_{max}$
Destructive load	$E_d$	> 300	> 300	% $E_{max}$
Minimum LC verification interval $v_{min} = E_{max}/Y$	Y	-	6,000	
Rated output	$C_n$	2	2	mV/V
Tolerance on rated output	$d_c$	$\leq 0.25$	$\leq 0.25$	% $C_n$
Zero output signal	$S_{min}$	$\leq 1$	$\leq 1$	% $C_n$
Repeatability	$\epsilon_R$	$\leq 0.01$	$\leq 0.01$	% $C_n$
Creep, during 30min.	$d_{cr}$	$\leq 0.03$	$\leq 0.017$	% $C_n$
Temperature effect on $S_{min}$	$TK_{Smin}$	$\leq 0.028$	$\leq 0.023$	% $C_n/10K$
Temperature effect on C	$TK_c$	$\leq 0.015$	$\leq 0.011$	% $C_n/10K$
Input impedance	$R_{LC}$	$400 \pm 20$	$400 \pm 20$	$\Omega$
Output impedance	$R_O$	$350 \pm 3.5$	$350 \pm 3.5$	$\Omega$
Insulation impedance	$R_{IS}$	< 2,000	< 2,000	M $\Omega$
Recommended supply voltage	$B_u$	10	10	V
Maximum supply voltage	$U_{max}$	15	15	V

#### По вопросам продаж и поддержки обращайтесь:

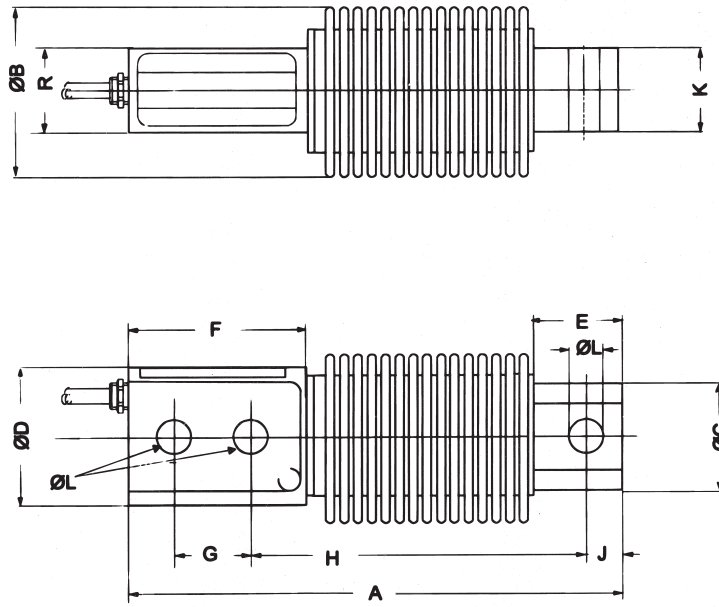
Астана+7(7172)727-132, Волгоград(844)278-03-48, Воронеж(473)204-51-73, Екатеринбург(343)384-55-89,  
 Казань(843)206-01-48, Краснодар(861)203-40-90, Красноярск(391)204-63-61, Москва(495)268-04-70,  
 Нижний Новгород(831)429-08-12, Новосибирск(383)227-86-73, Ростов-на-Дону(863)308-18-15, Самара(846)206-03-16,  
 Санкт-Петербург(812)309-46-40, Саратов(845)249-38-78, Уфа(347)229-48-12

sst@nt-rt.ru || sartorius.nt-rt.ru

### Technical Data

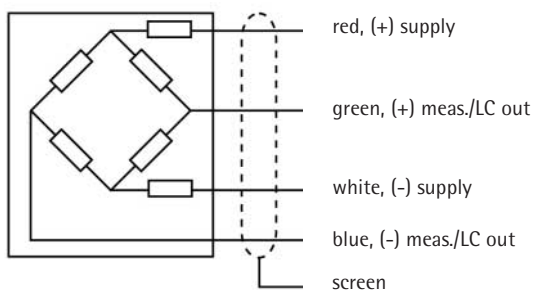
		N	C3	
Nominal ambient temperature range	B <sub>T</sub>	-10 to +40	-10 to +40	° C
Usable ambient temperature range	B <sub>TU</sub>	-20 to +65	-20 to +65	° C
Nominal deflection	S <sub>nom</sub>	≤ 0.3	≤ 0.3	mm
Cable	-	3m, 4 wires with screen	3m, 4 wires with screen	
Protection class	-	IP 67	IP 67	

The technical data given here serve only as a product description and must not be interpreted as guaranteed characteristics in the legal sense.



Dimensions all in mm

Capacity	A	B	C	D	E	F	G	H	J	K	L	R	Weight
20kg... 200kg	120	40	23	31.75	20	42	18	82	10	20	8.2	20	1.8kg



### Order information

Type	Order number	Type	Order number	Max. capacity (2mV/V)
MP47/21 N	9408 800 47211	MP47/21 C3	9408 800 47217	20kg
MP47/51 N	9408 800 47511	MP47/51 C3	9408 800 47517	50kg
MP47/12 N	9408 800 47121	MP47/12 C3	9408 800 47127	100kg
MP47/22 N	9408 800 47221	MP47/22 C3	9408 800 47227	200kg

### По вопросам продаж и поддержки обращайтесь:

Астана+7(7172)727-132, Волгоград(844)278-03-48, Воронеж(473)204-51-73, Екатеринбург(343)384-55-89,  
 Казань(843)206-01-48, Краснодар(861)203-40-90, Красноярск(391)204-63-61, Москва(495)268-04-70,  
 Нижний Новгород(831)429-08-12, Новосибирск(383)227-86-73, Ростов-на-Дону(863)308-18-15, Самара(846)206-03-16,  
 Санкт-Петербург(812)309-46-40, Саратов(845)249-38-78, Уфа(347)229-48-12

sst@nt-rt.ru || sartorius.nt-rt.ru