



sartorius

## MP 59, MP 59T

### Stainless Steel Shear Beam Load Cell



#### 500kg... 5t, Type N/C3/C3MR

- Full stainless steel construction
- Compatible with other sources
- Hermetically welded seal (IP68)
- Approved according to OIML R60
- Matched output
- Ex-Version available (MP59/...E, MP59T/...E)

#### Applications

- Platform scales
- Tank & Hopper scales

| Technical Data   |                    | N          | C3         | C3MR       |                       |
|--|--------------------|------------|------------|------------|-----------------------|
| Accuracy class   |                    | 0.03       | 0.02       | 0.02       | % E <sub>max</sub>    |
| Maximum capacity                                       | E <sub>max</sub>   | s. table   | s. table   | s. table   |                       |
| Max. usable load                                       | E <sub>u</sub>     | 150        | 150        | 150        | % E <sub>max</sub>    |
| Destructive load                                       | E <sub>d</sub>     | > 300      | > 300      | > 300      | % E <sub>max</sub>    |
| Minimum LC verification interval $v_{min} = E_{max}/Y$ | Y                  | -          | 6,000      | 12,000     |                       |
| Rated output   | C <sub>n</sub>     | 2.02       | 2.02       | 2.02       | mV/V                  |
| Tolerance on rated output                              | d <sub>c</sub>     | ≤ 0.099    | ≤ 0.099    | ≤ 0.099    | % C <sub>n</sub>      |
| Zero output signal                                     | S <sub>min</sub>   | ≤ 1.98     | ≤ 1.98     | ≤ 1.98     | % C <sub>n</sub>      |
| Creep, during 30min.                                   | d <sub>cr</sub>    | ≤ 0.025    | ≤ 0.0167   | ≤ 0.0125   | % C <sub>n</sub>      |
| Temperature effect on S <sub>min</sub>                 | TK <sub>Smin</sub> | ≤ 0.035    | ≤ 0.023    | ≤ 0.0116   | % C <sub>n</sub> /10K |
| Temperature effect on C                                | TK <sub>C</sub>    | ≤ 0.014    | ≤ 0.010    | ≤ 0.010    | % C <sub>n</sub> /10K |
| Input impedance  | R <sub>IC</sub>    | 400 ± 20   | 400 ± 20   | 400 ± 20   | Ω                     |
| Output impedance                                       | R <sub>O</sub>     | 355 ± 5    | 355 ± 5    | 355 ± 5    | Ω                     |
| Insulation impedance                                   | R <sub>IS</sub>    | > 5,000    | > 5,000    | > 5,000    | MΩ                    |
| Recommended supply voltage                             | U <sub>0</sub>     | 10         | 10         | 10         | V                     |
| Maximum supply voltage                                 | U <sub>max</sub>   | 15         | 15         | 15         | V                     |
| Nominal ambient temperature range                      | B <sub>T</sub>     | -10 to +40 | -10 to +40 | -10 to +40 | ° C                   |
| Usable ambient temperature range                       | B <sub>Tu</sub>    | -30 to +80 | -30 to +80 | -30 to +80 | ° C                   |

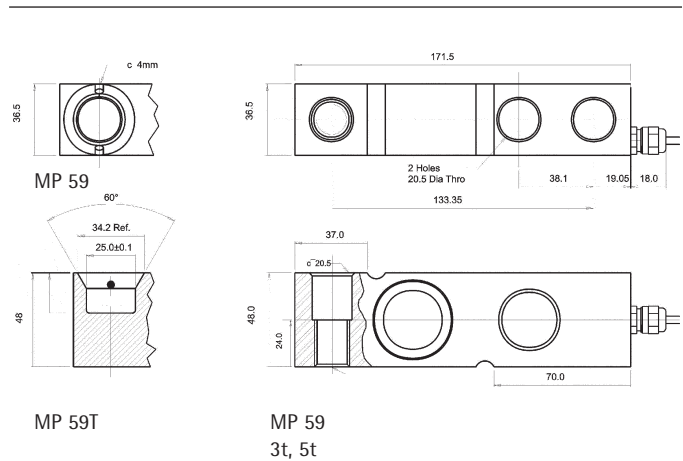
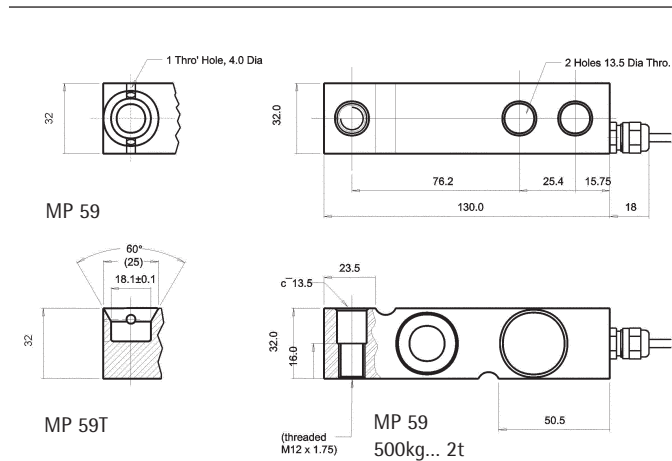
#### По вопросам продаж и поддержки обращайтесь:

Астана+7(7172)727-132, Волгоград(844)278-03-48, Воронеж(473)204-51-73, Екатеринбург(343)384-55-89,  
 Казань(843)206-01-48, Краснодар(861)203-40-90, Красноярск(391)204-63-61, Москва(495)268-04-70,  
 Нижний Новгород(831)429-08-12, Новосибирск(383)227-86-73, Ростов-на-Дону(863)308-18-15, Самара(846)206-03-16,  
 Санкт-Петербург(812)309-46-40, Саратов(845)249-38-78, Уфа(347)229-48-12

sst@nt-rt.ru || sartorius.nt-rt.ru

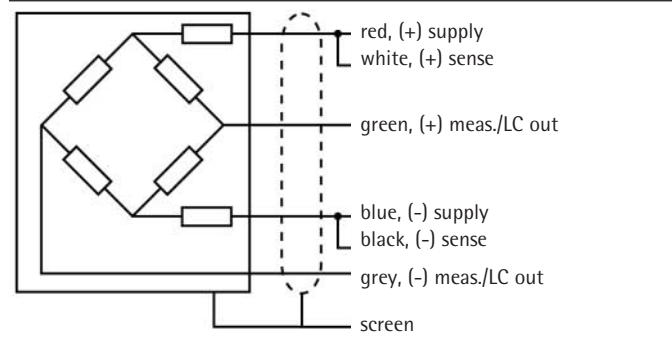
| Technical Data           |           | N          | C3         | C3MR       |    |
|--------------------------|-----------|------------|------------|------------|----|
| Nominal deflection       | $s_{nom}$ | $\leq 0.4$ | $\leq 0.4$ | $\leq 0.4$ | mm |
| Cable length             |           | 5          | 5          | 5          | m  |
| Environmental protection |           | IP 68      | IP 68      | IP 68      |    |

The technical data given here serve only as a product description and must not be interpreted as guaranteed characteristics in the legal sense.



Dimensions in mm

Dimensions in mm



#### Certificate of conformity

Features: II 1GD T85°C EEx ia IIC T6, II 1GD T115°C EEx ia IIC T4  
Reg. Number: SIRA 04 ATEX 2143x

#### Order number for ATEX load cells

9408 6.. ..  
e.g. MP59/1t C3 E = 9408 659 03210

#### Order information

| Type          | Order number   | Type           | Order number   | Type             | Order number   |
|---------------|----------------|----------------|----------------|------------------|----------------|
| MP59/500kg N  | 9408 259 01150 | MP59/500kg C3  | 9408 259 03150 | MP59/500kg C3MR  | 9408 259 07150 |
| MP59/1t N     | 9408 259 01210 | MP59/1t C3     | 9408 259 03210 | MP59/1t C3MR     | 9408 259 07210 |
| MP59/2t N     | 9408 259 01220 | MP59/2t C3     | 9408 259 03220 | MP59/2t C3MR     | 9408 259 07220 |
| MP59/3t N     | 9408 259 01230 | MP59/3t C3     | 9408 259 03230 | MP59/3t C3MR     | 9408 259 07230 |
| MP59/5t N     | 9408 259 01250 | MP59/5t C3     | 9408 259 03250 | MP59/5t C3MR     | 9408 259 07250 |
| MP59T/500kg N | 9408 259 11150 | MP59T/500kg C3 | 9408 259 13150 | MP59T/500kg C3MR | 9408 259 17150 |
| MP59T/1t N    | 9408 259 11210 | MP59T/1t C3    | 9408 259 13210 | MP59T/1t C3MR    | 9408 259 17210 |
| MP59T/2t N    | 9408 259 11220 | MP59T/2t C3    | 9408 259 13220 | MP59T/2t C3MR    | 9408 259 17220 |
| MP59T/3t N    | 9408 259 11230 | MP59T/3t C3    | 9408 259 13230 | MP59T/3t C3MR    | 9408 259 17230 |
| MP59T/5t N    | 9408 259 11250 | MP59T/5t C3    | 9408 259 13250 | MP59T/5t C3MR    | 9408 259 17250 |

#### По вопросам продаж и поддержки обращайтесь:

Астана+7(7172)727-132, Волгоград(844)278-03-48, Воронеж(473)204-51-73, Екатеринбург(343)384-55-89,  
Казань(843)206-01-48, Краснодар(861)203-40-90, Красноярск(391)204-63-61, Москва(495)268-04-70,  
Нижний Новгород(831)429-08-12, Новосибирск(383)227-86-73, Ростов-на-Дону(863)308-18-15, Самара(846)206-03-16,  
Санкт-Петербург(812)309-46-40, Саратов(845)249-38-78, Уфа(347)229-48-12

sst@nt-rt.ru || sartorius.nt-rt.ru