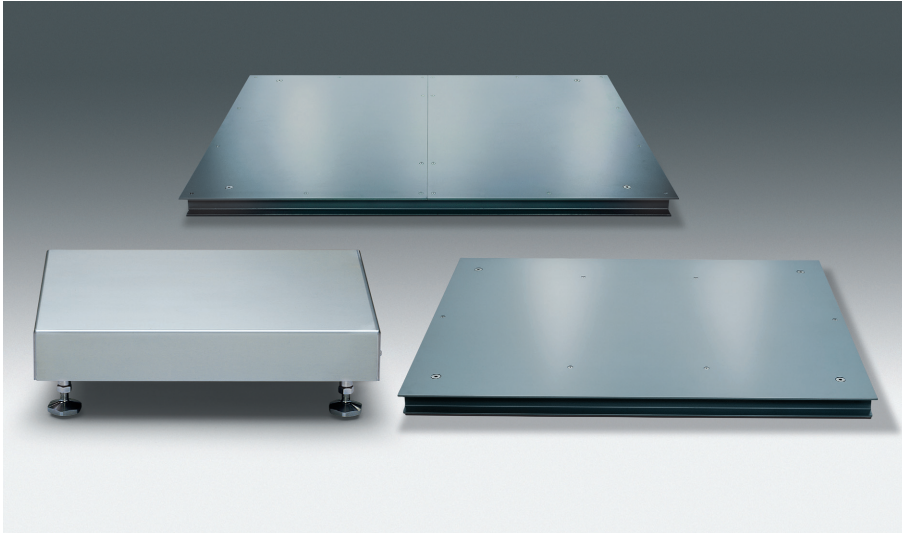




## Combics Weighing Platforms CAAPP...



- Large selection of combination options for standard components
- High weight bearing construction with simultaneous display accuracy
- High IP protection up to IP65 and open construction for easy cleaning
- Prepared for use in zones 2 and 22
- We provide certificates and documentation according to GMP, ISO, ATEX, OIML and FDA regulations.

Combics provides support in all areas of the process chain, from manual formulations to PC controlled production checks.

The modular system allows for a tailor-made configuration of the individual components for each area. We also produce individual complete solutions according to your specific applications.

Based on the specific requirements of the different industries and the basic legal conditions, we have developed intelligent solutions for all weighing applications, from incoming goods through to production on a large technical scale. The Combics series provides support in the production of high quality, attractive and safe products.

Combics' unsurpassed precision helps:

- in conducting flexible production checks;
- in reducing costs;
- in increasing product quality;
- in making optimal use of raw materials; and
- in increasing yields.

It is a design made for longevity, flexibility and reliability.

Hygiene regulations, which are especially important today, are met without compromise by the hygienic design of our solutions. The devices can be cleaned very easily and thus allow Combics to be used under tough conditions or where stringent safety standards apply. The materials and surfaces used significantly contribute to minimizing contamination risks.

Additionally, we support you by obtaining the necessary qualifications for your requirements. We provide certificates and documentation according to GMP, ISO, ATEX, OIML and FDA regulations.

**По вопросам продаж и поддержки обращайтесь:**

Астана+7(7172)727-132, Волгоград(844)278-03-48, Воронеж(473)204-51-73, Екатеринбург(343)384-55-89,  
Казань(843)206-01-48, Краснодар(861)203-40-90, Красноярск(391)204-63-61, Москва(495)268-04-70,  
Нижний Новгород(831)429-08-12, Новосибирск(383)227-86-73, Ростов-на-Дону(863)308-18-15, Самара(846)206-03-16,  
Санкт-Петербург(812)309-46-40, Саратов(845)249-38-78, Уфа(347)229-48-12

sst@nt-rt.ru || sartorius.nt-rt.ru

## General Specifications

### Combination options

10 weighing ranges from 3 kg to 3 t  
13 platform dimensions

### Material

Galvanized or powder-coated steel  
Color: NCSS3502-B (RAL7040)  
Load plate: powder-coated steel

### Other Functions

4 × height adjustable leveling feet  
Leveling device  
Overload protection

### Operating temperature range

-10°C to 40°C

### Resolution (not verifiable)

Depends on model:  
1 × 30.000 d or 1 × 15.000 d

### Resolution (verifiable, Class III)

Depends on model: 3.000 e or  
2 × 3.000 e (MR)

### Weighing system

Single point weigh cell C3  
or 4 weigh cells C3

### IP protection rating

IP65

### Load plate

Optional  
With painted tread plate  
in stainless steel 1.4301 (from 800 × 800 mm)

### Comprehensive range of accessories

Drive-on ramps  
Frames for pit installation  
Roller conveyor  
Benches

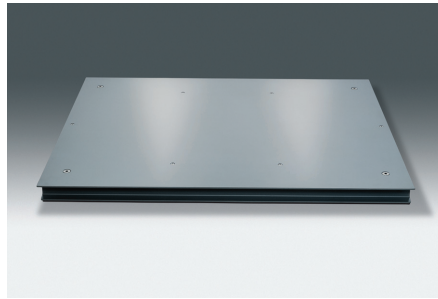
### EX approval

Optional for use in zones 2 and 22  
ATEX: II 3G Ex nA IIC T6 Gc  
II 3D Ex tD IIIC T80°C Dc

| Combics Platform | Material   Design | Number Weigh cells | Weighing capacity (kg) | Platform dimensions mm | Readability |
|------------------|-------------------|--------------------|------------------------|------------------------|-------------|
| <b>CAAP</b>      | <b>P</b>          | <b>1 -</b>         | <b>60</b>              | <b>FE -</b>            | <b>L</b>    |

Example of order code CAAPP1-60FE-L:

|                |               |             |                                 |
|----------------|---------------|-------------|---------------------------------|
| <b>Part 1:</b> | <b>CAAPP</b>  | Platform    |                                 |
| <b>Part 2:</b> | <b>1-60FE</b> | Platform:   | 60 kg, L = 500 mm × W = 400 mm  |
|                | <b>-L</b>     | Resolution: | 5 g readability, non-verifiable |



| Order number | Load range in kg | Readability in g          |         |                      |                  | Material  |            | Length Platform Cable in m |
|--------------|------------------|---------------------------|---------|----------------------|------------------|---|------------|----------------------------|
|              |                  | not verifiable<br>15.000d | 30.000d | verifiable<br>3.000e | 2 × 3.000e<br>MR | S: Stainless steel;<br>G: Galvanized;<br>P: Powder coated |            |                            |
|              |                  | - L                       | - I     | - BCE                | - NCE            | Load plate  | Base frame |                            |
| 1-3DC        | 3                | 0.2                       | 0.1     | 1                    | 0.5   1          | S   | G          | 3                          |
| 1-6DC        | 6                | 0.5                       | 0.2     | 2                    | 1   2            | S   | G          | 3                          |
| 1-15DC       | 15               | 1                         | 0.5     | 5                    | 2   5            | S   | G          | 3                          |
| 1-30ED       | 30               | 2                         | 1       | 10                   | 5   10           | S   | G          | 3                          |
| 1-30FE       | 30               |                           |         |                      |                  | S   | G          | 3                          |
| 1-60ED       | 60               | 5                         | 2       | 20                   | 10   20          | S   | G          | 3                          |
| 1-60FE       | 60               |                           |         |                      |                  | S   | G          | 3                          |
| 4-60GF       | 60               |                           |         |                      |                  | S   | P          | 3                          |
| 4-60IG       | 60               |                           |         |                      |                  | S   | P          | 3                          |
| 1-150FE      | 150              | 10                        | 5       | 50                   | 20   50          | S   | G          | 3                          |
| 4-150GF      | 150              |                           |         |                      |                  | S   | P          | 3                          |
| 4-150IG      | 150              |                           |         |                      |                  | S   | P          | 3                          |
| 4-150II      | 150              |                           |         |                      |                  | P   | P          | 6                          |
| 4-150LL      | 150              |                           |         |                      |                  | P   | P          | 6                          |
| 4-150NN      | 150              |                           |         |                      |                  | P   | P          | 6                          |
| 4-300GF      | 300              | 20                        | 10      | 100                  | 50   100         | S   | P          | 3                          |
| 4-300IG      | 300              |                           |         |                      |                  | S   | P          | 3                          |
| 4-300II      | 300              |                           |         |                      |                  | P   | P          | 6                          |
| 4-300LL      | 300              |                           |         |                      |                  | P   | P          | 6                          |
| 4-300NN      | 300              |                           |         |                      |                  | P   | P          | 6                          |

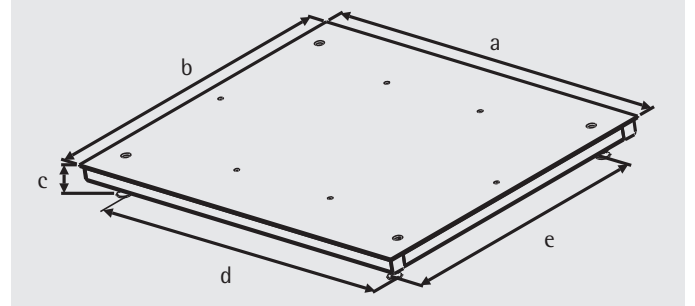
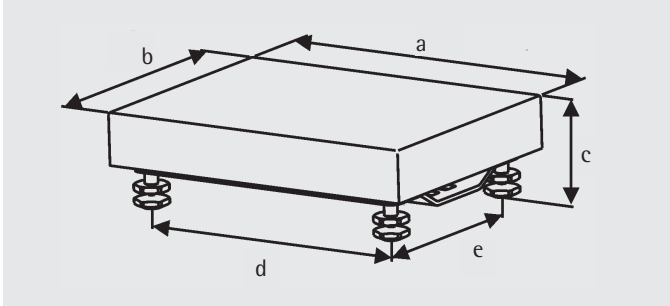
Continued on next page...

| Order number | Load range in kg | Readability in g |         |                  |                  | Material            |            | Length Platform Cable in m |
|--------------|------------------|------------------|---------|------------------|------------------|---------------------|------------|----------------------------|
|              |                  | not verifiable   |         | verifiable       |                  | S: Stainless steel; | Load plate |                            |
|              |                  | 15.000d          | 30.000d | 3.000e           | 2 × 3.000e<br>MR | G: Galvanized;      |            |                            |
| - L          | - I              | - BCE            | - NCE   | P: Powder coated | Base frame       |                     |            |                            |
| 4-600IG      | 600              | 50               | 20      | 200              | 100   200        | P                   | P          | 6                          |
| 4-600II      | 600              |                  |         |                  |                  | P                   | P          | 6                          |
| 4-600LI      | 600              |                  |         |                  |                  | P                   | P          | 6                          |
| 4-600LL      | 600              |                  |         |                  |                  | P                   | P          | 6                          |
| 4-600NL      | 600              |                  |         |                  |                  | P                   | P          | 6                          |
| 4-600NN      | 600              |                  |         |                  |                  | P                   | P          | 6                          |
| 4-600RN      | 600              |                  |         |                  |                  | P                   | P          | 6                          |
| 4-600RR      | 600              |                  |         |                  |                  | P                   | P          | 6                          |
| 4-600WR      | 600              |                  |         |                  |                  | P                   | P          | 6                          |
| 4-1500-II    | 1500             | 100              | 50      | 500              | 200   500        | P                   | P          | 6                          |
| 4-1500LI     | 1500             |                  |         |                  |                  | P                   | P          | 6                          |
| 4-1500LL     | 1500             |                  |         |                  |                  | P                   | P          | 6                          |
| 4-1500NL     | 1500             |                  |         |                  |                  | P                   | P          | 6                          |
| 4-1500NN     | 1500             |                  |         |                  |                  | P                   | P          | 6                          |
| 4-1500RN     | 1500             |                  |         |                  |                  | P                   | P          | 6                          |
| 4-1500RR     | 1500             |                  |         |                  |                  | P                   | P          | 6                          |
| 4-1500WR     | 1500             |                  |         |                  |                  | P                   | P          | 6                          |
| 4-3000II     | 3000             | 200              | 100     | 1000             | 500   1000       | P                   | P          | 6                          |
| 4-3000LI     | 3000             |                  |         |                  |                  | P                   | P          | 6                          |
| 4-3000LL     | 3000             |                  |         |                  |                  | P                   | P          | 6                          |
| 4-3000NL     | 3000             |                  |         |                  |                  | P                   | P          | 6                          |
| 4-3000NN     | 3000             |                  |         |                  |                  | P                   | P          | 6                          |
| 4-3000RN     | 3000             |                  |         |                  |                  | P                   | P          | 6                          |
| 4-3000RR     | 3000             |                  |         |                  |                  | P                   | P          | 6                          |
| 4-3000WR     | 3000             |                  |         |                  |                  | P                   | P          | 6                          |

#### Resolution (depending on the readability)

|       |  |
|-------|--|
| - L   | 15.000 d, intervals  |
| - I   | 30.000 d, intervals  |
| - BCE | 1 × 3.000 e, verifiable intervals                                |
| - NCE | 2 × 3.000 e, verifiable intervals, multi-range, fixed fine range |

## Dimensions



Design: ..DC, ..ED, ..FE, ..GF, ..IG

Design: ..II, ..LI, ..LL, ..NL, ..NN, ..RN, ..RR, ..WR

| a<br>(mm) | b<br>(mm) | c<br>(mm) | d<br>(mm) | e<br>(mm) | Design |
|-----------|-----------|-----------|-----------|-----------|--------|
| 320       | 240       | 70...92   | 264       | 184       | ...DC- |
| 400       | 300       | 94...110  | 344       | 244       | ...ED- |
| 500       | 400       | 96...112  | 443       | 343       | ...FE- |
| 650       | 500       | 90±2      | 550       | 400       | ...GF- |
| 800       | 600       | 90±2      | 700       | 500       | ...IG- |
| 800       | 800       | 90        | 604       | 604       | ...II- |
| 1000      | 800       | 90        | 804       | 604       | ...LI- |
| 1000      | 1000      | 90        | 804       | 804       | ...LL- |
| 1250      | 1000      | 90        | 1054      | 804       | ...NL- |
| 1250      | 1250      | 90        | 1054      | 1054      | ...NN- |
| 1500      | 1250      | 90        | 1304      | 1054      | ...RN- |
| 1500      | 1500      | 90        | 1304      | 1304      | ...RR- |
| 2000      | 1500      | 100       | 1804      | 1304      | ...WR- |

## Options

The selection of different options allows the customer to create a customized design for the platform. If the option code is indicated in the order, then the platform is delivered with the desired features (retrofitting with different options is possible by ordering the respective accessories).

| Option | Platform dimensions A × B in mm |                    |                    |                    |                    |                    |                     |                      |                      |                      |                      |                      |                      |  |
|--------|---------------------------------|--------------------|--------------------|--------------------|--------------------|--------------------|---------------------|----------------------|----------------------|----------------------|----------------------|----------------------|----------------------|--|
|        | DC<br>320 ×<br>240              | ED<br>400 ×<br>300 | FE<br>500 ×<br>400 | GF<br>650 ×<br>500 | IG<br>800 ×<br>600 | II<br>800 ×<br>800 | LI<br>1000 ×<br>800 | LL<br>1000 ×<br>1000 | NL<br>1250 ×<br>1000 | NN<br>1250 ×<br>1250 | RN<br>1500 ×<br>1250 | RR<br>1500 ×<br>1500 | WR<br>2000 ×<br>1500 |  |

### Load plate design (only one option can be selected)

|                           |    |   |   |   |   |   |   |   |   |   |   |   |   |
|---------------------------|----|---|---|---|---|---|---|---|---|---|---|---|---|
| Stainless steel V2A       | R1 | ✓ | ✓ | ✓ | ✓ | ✓ | • | • | • | • | • | • | • |
| Painted steel tread plate | R3 |   |   |   |   |   | • | • | • | • | • | • | • |

### Certificates

|                        |    |   |   |   |   |   |   |   |   |   |   |   |   |
|------------------------|----|---|---|---|---|---|---|---|---|---|---|---|---|
| Test log   certificate | Z3 | • | • | • | • | • | • | • | • | • | • | • | • |
|------------------------|----|---|---|---|---|---|---|---|---|---|---|---|---|

### Other Functions

|   |    |   |   |   |   |   |   |   |   |   |   |   |   |
|---|----|---|---|---|---|---|---|---|---|---|---|---|---|
| Suitable for use in zones 2 and 22 (ATEX mark: II 3G Ex nA IIC T6 Gc II 3D Ex tD IIIC T80°C Dc) | Y2 | • | • | • | • | • | • | • | • | • | • | • | • |
|---|----|---|---|---|---|---|---|---|---|---|---|---|---|

### Accessories

| Description   | Order reference |
|---|-----------------|
| <b>Electrical accessories</b>   |                 |
| Plug and socket kit to connect analog platforms to indicators (separable connection)  | YAS99I          |
| Connection cable to platforms, junction box or weighing devices, 8 × 0.5 mm <sup>2</sup> , approx. 8 mm outer diameter, shielded, sold by the meter for customers to cut to size *3 | 69Y01100        |
| <b>Mechanical accessories</b>   |                 |
| Screw-fixed sheet metal plate for the indicator platform (separate display), stainless steel 1.4301 (V2A) only for platform dimensions 400 × 300 mm (ED) and 500 × 400 mm (FE) *3   | YDH12CWS        |
| <b>Brackets for wall mounting</b>   |                 |
| Bracket for wall mounting, stainless steel (also for use in Zones 1, 2, 21, 22)   | YDH01CIS        |
| Bracket for wall mounting, stainless steel, tiltable indicator (also for use in Zones 1, 2, 21, 22)   | YDH02CIS        |

\*3 suitable for use in Zones 2 + 22

| Description  | Order designation |
|--|-------------------|
| <b>Floor-mounted column</b>  |                   |
| Floor-mounted column, painted, height 1.1 m (also for use in Zones 1, 2, 21, 22)         | YDH03CIP          |
| Floor-mounted column, stainless steel, height 1.1 m (also for use in Zones 1, 2, 21, 22) | YDH03CIS          |
| <b>Floor-mounted column accessories</b>  |                   |
| Column supports in stainless steel (4 supports)  | YBP03CIS          |
| Plate for attaching a printer to the floor-mounted column or bench stand                 | YPP01CWS          |
| Mount for barcode scanner, to be attached to: floor-mounted column, bench stand          | YBH01CWS          |
| <b>Painted column for fastening indicator to platform, for platform dimensions: *3</b>   |                   |
| 320 × 240 mm, column height 330 mm   | YDH01CWP          |
| 400 × 300 mm and 500 × 400 mm, column height 500 mm                                      | YDH02CWP          |
| 500 × 400mm, column height 750 mm  | YDH03CWP          |
| <b>Painted drive-on ramp for platform dimensions: *3</b>                                 |                   |
| 800 × 600 mm (ramp dimensions: 1,200 × 600 mm)   | YAR01CWP          |
| 800 × 800 mm, 1,000 × 800 mm (ramp dimensions: 1,200 × 800 mm)                           | YAR06CWP          |
| 1,000 × 1,000 mm, 1,250 × 1,000 mm (ramp dimensions: 1,200 × 1,000 mm)                   | YAR02CWP          |
| 1,250 × 1,250 mm, 1,500 × 1,250 mm (ramp dimensions: 1,200 × 1,250 mm)                   | YAR03CWP          |
| 1,500 × 1,500 mm (ramp dimensions: 1,200 × 1,500 mm)                                     | YAR04CWP          |
| 2,000 × 1,500 mm (ramp dimensions: 1,200 × 1,500 mm)                                     | YAR05CWP          |
| <b>Painted drive-on ramp (tread plate) for platform dimensions: *3</b>                   |                   |
| 800 × 600 mm (ramp dimensions: 1,200 × 600 mm)   | YAR01CWPT         |
| 800 × 800 mm, 1,000 × 800 mm (ramp dimensions: 1,200 × 800 mm)                           | YAR06CWPT         |
| 1,000 × 1,000 mm, 1,250 × 1,000 mm (ramp dimensions: 1,200 × 1,000 mm)                   | YAR02CWPT         |
| 1,250 × 1,250 mm, 1,500 × 1,250 mm (ramp dimensions: 1,200 × 1,250 mm)                   | YAR03CWPT         |
| 1,500 × 1,500 mm (ramp dimensions: 1,200 × 1,500 mm)                                     | YAR04CWPT         |
| 2,000 × 1,500 mm (ramp dimensions: 1,200 × 1,500 mm)                                     | YAR05CWPT         |
| <b>Painted pit installation frame for platform dimensions:</b>                           |                   |
| 800 × 600 mm   | YEG01CWP          |
| 800 × 800 mm   | YEG08CWP          |
| 1,000 × 800 mm   | YEG07CWP          |
| 1,000 × 1,000 mm   | YEG02CWP          |
| 1,250 × 1,000 mm   | YEG03CWP          |
| 1,250 × 1,250 mm   | YEG09CWP          |
| 1,500 × 1,250 mm   | YEG04CWP          |
| 1,500 × 1,500 mm   | YEG05CWP          |
| 2,000 × 1,500 mm   | YEG06CWP          |

\*3 suitable for use in Zones 2 + 22

| Description   | Order designation |
|---|-------------------|
| <b>Painted roller conveyer for platform dimensions:</b>   |                   |
| 320 × 240 mm  | YRC01DCA          |
| 400 × 300 mm  | YRC01EDA          |
| 500 × 400 mm  | YRC01FEA          |
| 650 × 500 mm  | YRC01GFP          |
| 800 × 600 mm  | YRC01IGP          |
| <b>Roller-ball load plates for platform dimensions:</b>   |                   |
| 400 × 300 mm  | YLP01CWS          |
| 500 × 400 mm  | YLP02CWS          |
| 650 × 500 mm  | YLP03CWS          |
| 800 × 600 mm  | YLP04CWS          |
| <b>Painted bench for platform dimensions: *3</b>  |                   |
| Painted bench for platform dimensions 400 × 300 mm, adjusting range 645 – 685 mm  | YWT01CWP          |
| Painted bench for platform dimensions 500 × 400 mm, adjusting range 655 – 695 mm  | YWT02CWP          |
| Painted bench for platform dimensions 650 × 500 mm, adjusting range 642 – 702 mm  | YWT03CWP          |
| Painted bench for platform dimensions 800 × 600 mm, adjusting range 642 – 702 mm  | YWT04CWP          |
| <b>Other mechanical accessories</b>   |                   |
| Stainless steel bench support arm for attaching the indicator, adjustable height *3   | YDH01WTCWS        |
| Wheel set (2 wheels with steering and braking function) for bench *3  | YR001WTCW         |
| Floor fastening set (2 × stainless steel plates, 4 × stainless steel floor anchor) for all platforms with 4 weighing cells *3                     | YFP01CWS          |
| Fastening kit for locking the two feet of the weighing platform to the ramp and for all applications with pit installation from size 800 × 800 mm | YFP02CWS          |

\*3 suitable for use in Zones 2 + 22

**По вопросам продаж и поддержки обращайтесь:**

Астана+7(7172)727-132, Волгоград(844)278-03-48, Воронеж(473)204-51-73, Екатеринбург(343)384-55-89,  
 Казань(843)206-01-48, Краснодар(861)203-40-90, Красноярск(391)204-63-61, Москва(495)268-04-70,  
 Нижний Новгород(831)429-08-12, Новосибирск(383)227-86-73, Ростов-на-Дону(863)308-18-15, Самара(846)206-03-16,  
 Санкт-Петербург(812)309-46-40, Саратов(845)249-38-78, Уфа(347)229-48-12

sst@nt-rt.ru || sartorius.nt-rt.ru