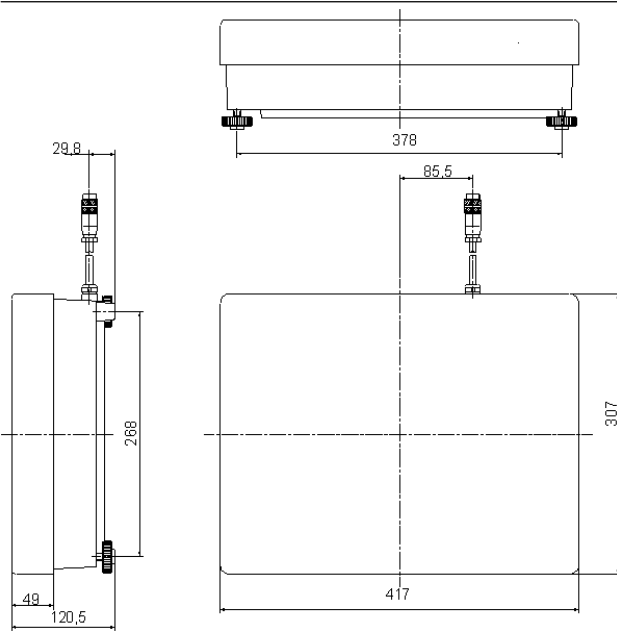
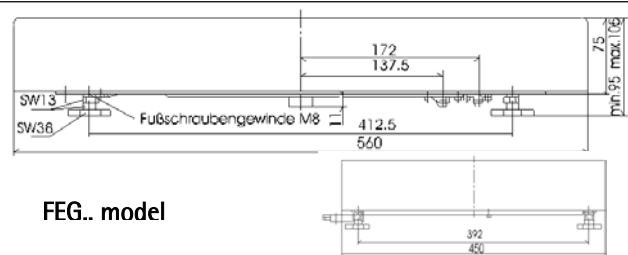




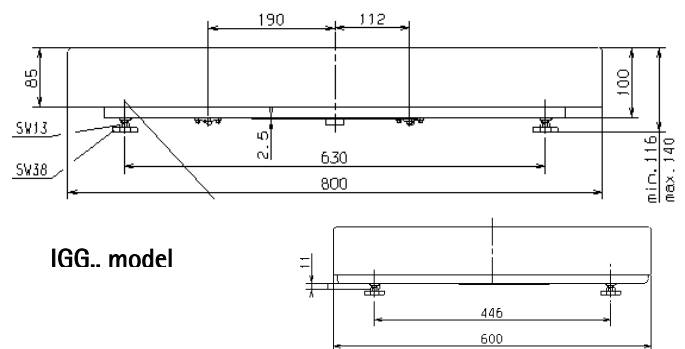
# IS ...EDE | ...FEG | ...IGG Weighing Platform



**EDE.. model**



**FEG.. model**



**IGG.. model**



- : load plate in AISI 304 stainless steel
- : built-in calibration weight, isoTEST function
- : useable as intelligent sensor without display, with WinScale even in verified processes
- : All IS...-IGG models for use in zone 2+22
- : IS...-EDE non verifiable models with option VF3153 (without built-in calibration weight) for use in Zone 2+22 hazardous areas, not for model IS64EDE-H available
- : high overload protection
- : 4 leveling feet; level indicator
- : high data output speed possible; up to 50Hz / RS485
- : useable in GMP clean room according to US class 10,000 or GMP class C

## General Information

AC power source/power requirements (optional)	Via AC adapter. ING2: 230 V or 115 V
Housing	...EDE: painted. ...FEG/...IGG: galvanized
Operating temperature range	+10 ... +30 °C or 0 ... +40°C (depends on model)
Adaptation to ambient conditions and application requirements	by selection of 1 of 4 optimized filter levels
Data output speed (depends on the filter level selected)	0.1 – 0.4 s
Response time (average)	≤ 1.5 s
Selectable weight units (verifiable models)	g, kg
Built-in interface	RS485
Format	8 Bit ASCII
Parity	odd
Transmission rates	9600 to 38400 Baud
Additional interface (optional)	RS232

### По вопросам продаж и поддержки обращайтесь:

Астана+7(7172)727-132, Волгоград(844)278-03-48, Воронеж(473)204-51-73, Екатеринбург(343)384-55-89,  
 Казань(843)206-01-48, Краснодар(861)203-40-90, Красноярск(391)204-63-61, Москва(495)268-04-70,  
 Нижний Новгород(831)429-08-12, Новосибирск(383)227-86-73, Ростов-на-Дону(863)308-18-15, Самара(846)206-03-16,  
 Санкт-Петербург(812)309-46-40, Саратов(845)249-38-78, Уфа(347)229-48-12

## Model-specific information

### Standard models

Model		IS16EDE-H	IS34EDE-H	IS64EDE-H
Readability	g	0.1	0.1	0.1
Weighing range	kg	16	34	64
Max. overload capacity	kg	130	130	130
Preload that can be electronically compensated (without restricting the weighing capacity)	kg	4	4	13
Max. preload	kg	16	18	30
Repeatability	≤±g	0.05	0.1	0.1
Linearity	≤±g	0.2	0.2	0.3
Response time (average)	s	1.5	1.5	1.5
platform dimensions (W x D x H)	mm	400x300x120	400x300x120	400x300x120
Adjustable height	mm	+ 12	+ 12	+ 12
Net weight, approx.	kg	16	16	16
Allowable ambient operating temperature	°C	+10 ... 30	+10 ... 30	+10 ... 30
Power consumption (average)	VA	2.5	2.5	2.5
IP protection		IP65	IP65	IP44

Model		IS64EDE-S	IS150IGG-H	IS300IGG-H
Readability	g	1	1	2
Weighing range	kg	64	150	300
Max. overload capacity	kg	130	600	600
Preload that can be electronically compensated (without restricting the weighing capacity)	kg	13	30	60
Max. preload	kg	30	120	120
Repeatability	≤±g	0.3	1	2
Linearity	≤±g	0.3	4	8
Response time (average)	s	1.5	1	1
platform dimensions (W x D x H)	mm	400x300x120	800x600x117	800x600x117
Adjustable height	mm	+ 12	+ 23	+ 23
Net weight, approx.	kg	16	70	70
Allowable ambient operating temperature	°C	+10 ... 30	+10 ... 30	+10 ... 30
Power consumption (average)	VA	2.5	10	10
IP protection		IP65	IP67	IP67

## Verifiable models

Model		IS16EDE-HOCE	IS34EDE-HOCE	IS64EDE-HOCE
Accuracy class		II	II	II
Readability d	g	0.1	0.1	1
Weighing range	kg	16	34	64
Verification scale interval e	g	1	1	10
Min. preload	g	5	5	50
Max. overload capacity	kg	130	130	130
Tare range (subtractive)		≤100% of maximum weighing range		
Preload that can be electronically compensated (without restricting the weighing capacity)	kg	4	4	13
Repeatability	≤±g	0.001	0.01	0.5
Linearity	≤±g	0.002	0.02	2
Response time (average)	s	1	1	1
platform dimensions (W x D x H)	mm	400x300x120	400x300x120	400x300x120
Adjustable height	mm	+ 12	+ 12	+ 12
Net weight, approx.	kg	16	16	16
Allowable ambient operating temperature	°C	+10 ... 30	+10 ... 30	0 ... 40
Power consumption (average)	VA	2.5	2.5	2.5
IP protection		IP65	IP65	IP65

Model		IS64FEG-SOCE	IS150IGG-HOCE	IS300IGG-HOCE
Accuracy class		II	II	II
Readability d	g	1	1	20
Weighing range	kg	64	150	300
Verification scale interval e	g	10	10	20
Min. preload	g	50	50	1000
Max. overload capacity	kg	130	600	600
Tare range (subtractive)		≤100% of maximum weighing range		
Preload that can be electronically compensated (without restricting the weighing capacity)	kg	-	30	60
Repeatability	≤±g	0.5	4	20
Linearity	≤±g	2	8	20
Response time (average)	s	1	1	1
platform dimensions (W x D x H)	mm	560x450x95	800x600x117	800x600x117
Adjustable height	mm	+ 10	+ 23	+ 23
Net weight, approx.	kg	30	70	70
Allowable ambient operating temperature	°C	0 ... 40	0 ... 40	0 ... 40
Power consumption (average)	VA	11	10	10
IP protection		IP67	IP67	IP67

### По вопросам продаж и поддержки обращайтесь:

Астана+7(7172)727-132, Волгоград(844)278-03-48, Воронеж(473)204-51-73, Екатеринбург(343)384-55-89,  
 Казань(843)206-01-48, Краснодар(861)203-40-90, Красноярск(391)204-63-61, Москва(495)268-04-70,  
 Нижний Новгород(831)429-08-12, Новосибирск(383)227-86-73, Ростов-на-Дону(863)308-18-15, Самара(846)206-03-16,  
 Санкт-Петербург(812)309-46-40, Саратов(845)249-38-78, Уфа(347)229-48-12

sst@nt-rt.ru || sartorius.nt-rt.ru